

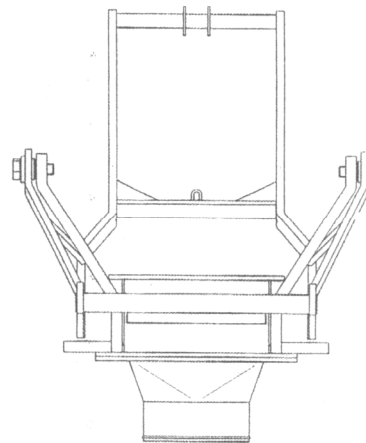
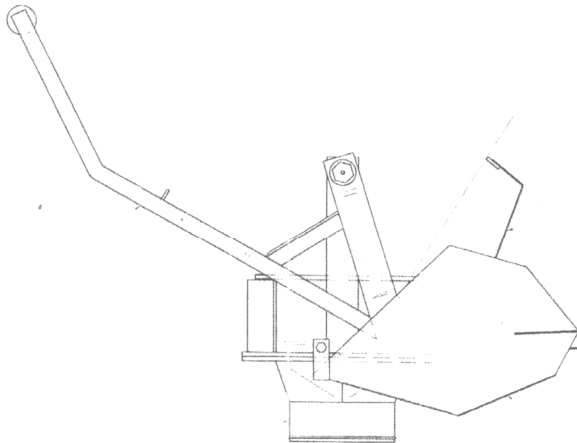


STANDARD GATE FOR TU/TUC SKIPS



The patented TU gate mechanism is the bench mark for all column skips. This gate is fitted as standard to all TU/TUC skips and can be fitted with numerous accessories including quick release fittings for differing diameters of discharge hose, adjustable discharge funnel and chutes.

The gate is manufactured to the highest standards with machined hinge pins fitted with grease points, heavy duty integral gate to ensure continuation of concrete flow. To prevent segregation of the concrete a 200mm diameter, 3 metre rubber discharge hose is fitted as standard.



WHITNEY ENGINEERING LIMITED

Unit 6, Ladford Trading Park, Seighford, Stafford, ST18 9QE

Tel: 01785 282811 Fax: 01785 282930

Email: sales@whitneyeng.co.uk Web: www.whitneyeng.co.uk