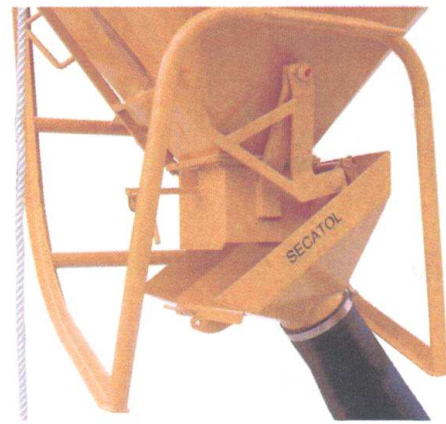
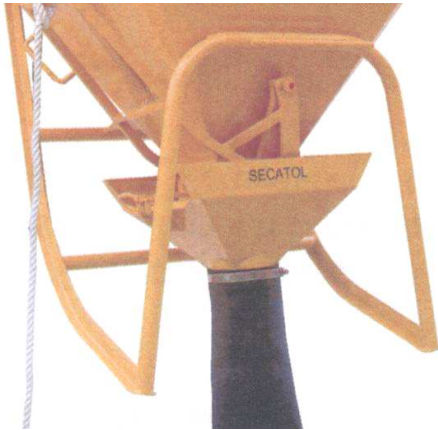




# SECATOL

## SPECIAL GATES FOR TU/TUC SKIPS

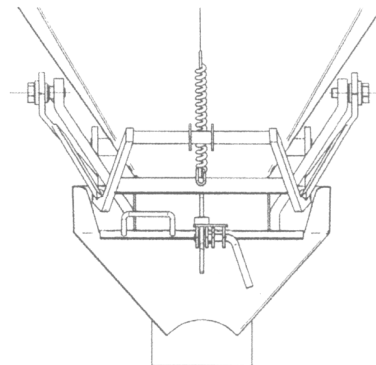
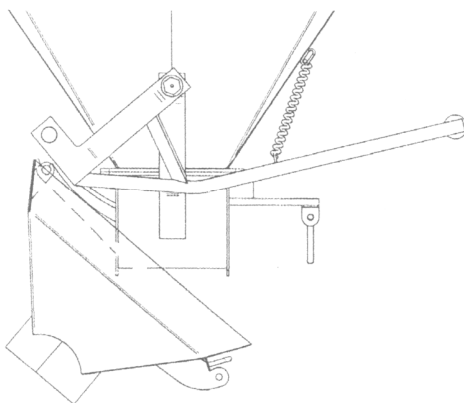
### TI GATE



The TI gate is specifically designed for fluid concrete. Any leakage from the gate is directed into the discharge hose via the funnel.

The quick release funnels are available with 90mm, 150mm, 200mm and 250mm diameter discharge hoses to give flexibility for numerous applications.

The funnel hinges down to facilitate easy access for cleaning the gate mechanism



## WHITNEY ENGINEERING LIMITED

Unit 6, Ladford Trading Park, Seighford, Stafford, ST18 9QE

Tel: 01785 282811 Fax: 01785 282930

Email: [sales@whitneyeng.co.uk](mailto:sales@whitneyeng.co.uk) Web: [www.whitneyeng.co.uk](http://www.whitneyeng.co.uk)