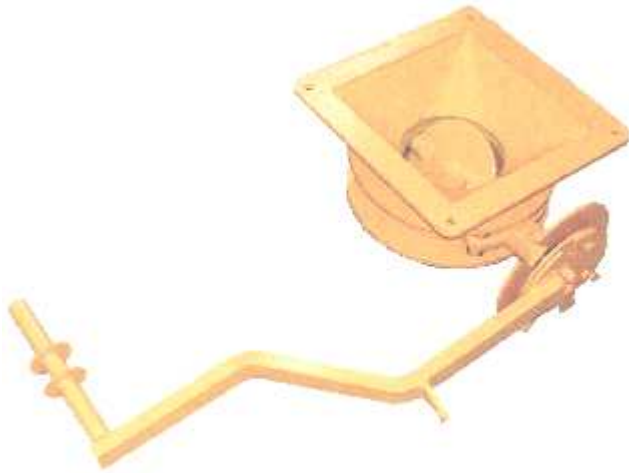




SECATOL

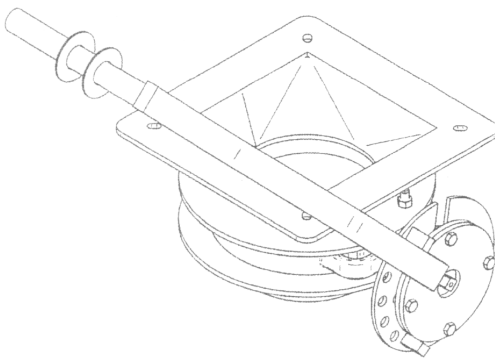
SPECIAL GATES FOR TU/TUC SKIPS

TV GATE

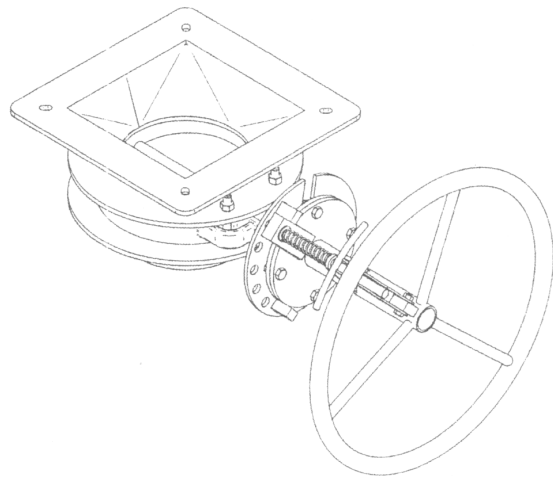


The TV gate is 200mm diameter and is ideally suited to very fluid self compacting concrete.

The valve is fitted with a rubber seal to prevent any leakage with the option of wheel or lever operation



LEVER OPERATION



WHEEL OPERATION

WHITNEY ENGINEERING LIMITED

Unit 6, Ladford Trading Park, Seighford, Stafford, ST18 9QE

Tel: 01785 282811 Fax: 01785 282930

Email: sales@whitneyeng.co.uk Web: www.whitneyeng.co.uk