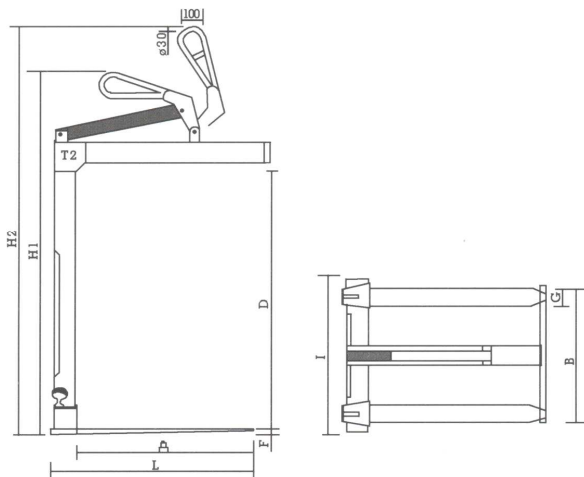




GER AU BRICK FORKS



The GER AU Self Levelling Brick Forks are designed to lift both brick packs and pallets, by utilising the adjustable forks. The compensation mechanism attached to the lifting eye ensures the forks remain level with or without a load. The GER AU is supplied with a safety net to comply with current regulations, is CE marked with EC Declaration of Conformity and Test Certificate.



SWL in kgs	Dimensions in mm									Unladen weight (Kg)
	A	B	D	F	G	H1	H2	I	L	
2000	1110	450-850	1240	50	80	1800	2060	920	1260	200

WHITNEY ENGINEERING LIMITED

Unit 6, Ladford Trading Park, Seighford, Stafford, ST18 9QE
Tel: 01785 282811 Fax: 01785 282930
Email: sales@whitneyeng.co.uk Web: www.whitneyeng.co.uk