

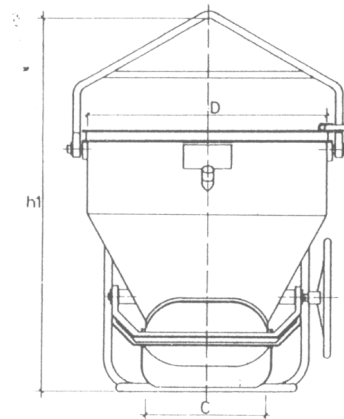
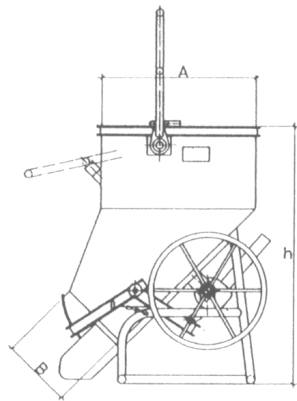


ELEV FORKLIFT/CRANE SKIP



The ELEV skip is an excellent skip for work in a pre fabrication works or on site as it can be lifted by either crane or by forklift truck using the 3 way entry base.

Lever or gear operated discharge gate is available on capacities up to 1000 litre. The 1200 litre and 1500 litre models are only available with geared gate and are fitted with heavy duty reinforced bale arm.



Capacity in litres	Dimensions in mm (including Fork Pockets)									Unladen weight (Kg)
	A	B	C	D	h	h1	Length	Width	Height	
500	650	300	500	1000	1340	1815	995	1160	1275	188
600	800	350	700	1300	1290	1940	1270	1510	1230	285
800	800	350	700	1300	1490	2140	1260	1510	1430	321
1000	800	350	700	1300	1690	2340	1250	1510	1630	341
1200	1000	350	700	1400	1630	2450	1150	1540	1670	488
1500	1000	350	700	1400	1840	2660	1150	1580	1880	516

WHITNEY ENGINEERING LIMITED

Unit 6, Ladford Trading Park, Seighford, Stafford, ST18 9QE

Tel: 01785 282811 Fax: 01785 282930

Email: sales@whitneyeng.co.uk Web: www.whitneyeng.co.uk